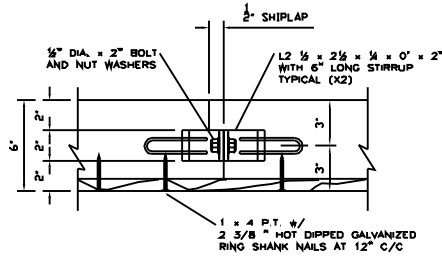


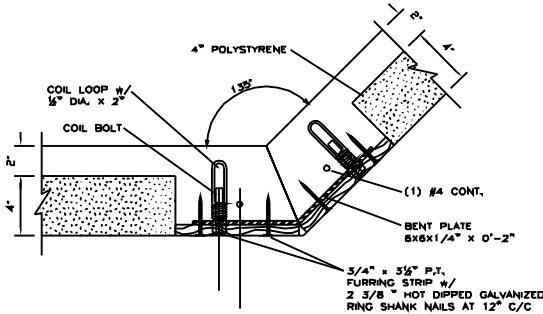
TYPICAL STUD AT 24" c/c

SECTION A
SCALE: 1 1/2" = 1'-0"



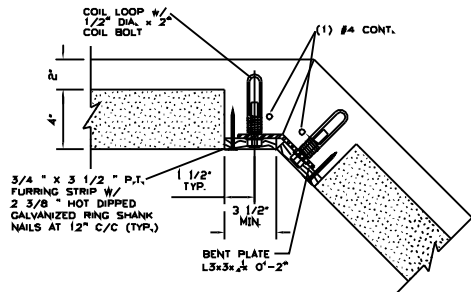
TYPICAL PANEL CONNECTION

SECTION B
SCALE: 3" = 1'-0"



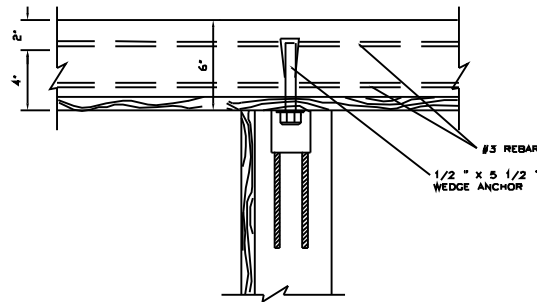
TYPICAL INSIDE 45° CORNER

SECTION C
SCALE: 1 1/2" = 1'-0"



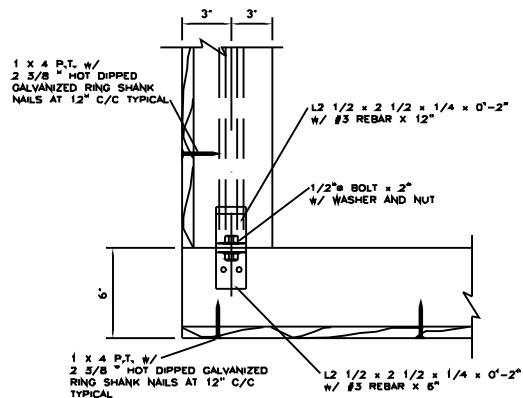
TYPICAL OUTSIDE 45° CORNER

SECTION D
SCALE: 1 1/2" = 1'-0"



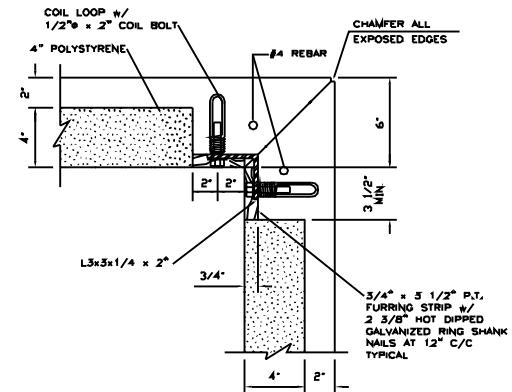
TYPICAL NON-MITERED PANEL CONNECTION

SECTION E
SCALE: 3" = 1'-0"



TYPICAL INSIDE 90° CORNER

SECTION F
SCALE: 3" = 1'-0"



TYPICAL OUTSIDE 90° CORNER

SECTION G
SCALE: 1 1/2" = 1'-0"

GENERAL NOTES

PRECAST CONCRETE WALLS:

- C1 PRECAST WALLS SHALL BE NOMINAL 6" WALL, 2" THICK CONCRETE WITH 5000 PSI @ 28 DAYS, WITH STRUCTURAL MEMBERS AS PER DESIGN DETAILS AND THE DESIGN PROFESSIONAL. THE MANUFACTURERS PLANT SHALL CONFORM TO THE REQUIREMENTS DEFINED IN THE CONCRETE INSTITUTES MANUAL FOR QUALITY CONTROL FOR PLANTS AND PRODUCTION OF CONCRETE PRODUCTS
- C2 SUBMIT SHOP DRAWINGS SHOWING ATTACHMENT PLANS, UNITS SIZES, STEEL CONTENT AND ALL NECESSARY DETAILS. ALL SHOP DRAWINGS SHALL BE SIGNED BY A FLORIDA REGISTERED PROFESSIONAL ENGINEER.
- C3 PRECAST WALLS SHALL BE INSTALLED IN STRICT ACCORDANCE WITH THE MANUFACTURERS RECOMMENDATIONS. PROVISION SHALL BE MADE FOR ANCHORAGE TO BEAMS, WALLS ETC., TO PROVIDE LATERAL SUPPORT FOR EACH MEMBER.

REINFORCED CONCRETE:

- RC 1 ALL CONCRETE DESIGN AND PLACEMENT SHALL BE IN STRICT ACCORDANCE WITH THE ACI BUILDING CODE REQUIREMENTS FOR REINFORCED CONCRETE, ACI 318 02.
- RC 2 STRUCTURAL CONCRETE SHALL CONFORM TO ACI 301 SPECIFICATIONS AND SHALL DEVELOP THE FOLLOWING MINIMUM COMPRESSIVE STRENGTH AT 28 DAYS.

PRECAST WALLS

- SEE C1 ABOVE
 - RC 3 STRUCTURAL CONCRETE SHALL CONFORM TO ACI 301 AND HAVE THE FOLLOWING SLUMPS & AGGREGATE REQUIREMENTS:
- | LOCATION | SLUMP | MAX |
|----------|---------------|----------|
| WALLS | 8" @ 5000 PSI | ASTM #89 |
- RC 4 ALL REINFORCING STEEL SHALL BE DETAILED, FABRICATED AND INSTALLED IN ACCORDANCE WITH ACI 318 AND ACI DETAILING MANUAL, ACI 315 LATEST EDITION, AND 2004 FBC.

- RC 5 ALL REINFORCING STEEL SHALL BE NEW DEFORMED BARS, FREE FROM RUST, SCALE AND OIL, CONFORMING TO ASTM A 615, GRADE 60, WITH MINIMUM YIELD STRENGTH = 60,000 PSI.
- RC 6 LAP CONTINUOUS REINF. AS NOTED IN LAP SLICE SCHEDULE. LAP CONT. BOTTOM STEEL OVER SUPPORT AND CONT. TOP STEEL AT MIDSPAN UNLESS OTHERWISE SPECIFIED.
- RC 7 NO REINFORCING BARS SHALL BE CUT TO ACCOMMODATE THE INSTALLATION OF ANCHORS, EMBEDS OR OTHER ITEMS.
- RC 8 ALL EMBEDDED ITEMS SHALL BE SECURELY TIED IN PLACE PRIOR TO CONCRETE PLACEMENT.
- RC 9 WELDED WIRE FABRIC SHALL CONFORM TO ASTM A 185, GRADE 65
- RC 10 WEDGE BOLTS SHALL BE 1/2" DIA. SET/RED-HEAD OR APPROVED EQUIVALENT, INSTALLED IN ACCORDANCE WITH MANUFACTURER'S RECOMMENDATIONS. 1/2" DIAMETER WEDGE BOLTS SHALL BE OF LENGTH REQUIRED TO PROVIDE 3 1/2" MIN. EMBEDMENT.

WEAVER PRECAST
OF FLORIDA, LLC

350 THORPE ROAD ORLANDO, FLORIDA 32824
PHONE (407) 812-5552 FAX (407) 812-7672

ISSUED FOR:

- PRELIM.
- PRICING
- BIDDING
- PERMIT
- CONSTRUCTION

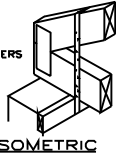
MARK	DATE	REVISIONS

CONC. NO. 08/01/05
DATE 08/01/05
SCALE 1/4"=1'-0"
DRAWN W STRECH
JOB NO. 1
CHECKED C BRYAN

DETAILS

LOT NO. SHEET NO.
WS4
SHT. OF

NOTE:
CONNECTORS BY OTHERS

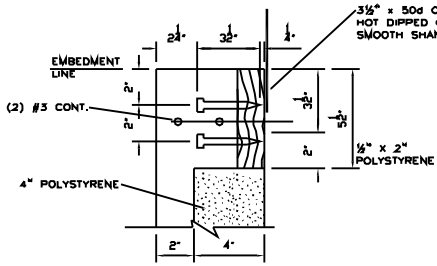


UPLIFT NOTE:

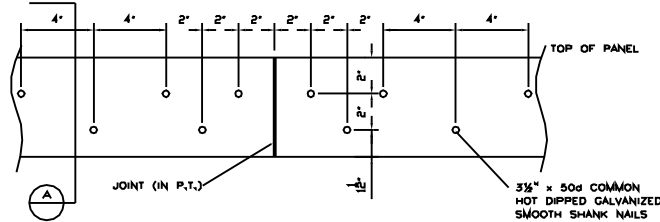
MAX UPLIFT CAPACITY = 1,150 LBS.
FOR ROOF TRUSSES SPACED @ 24" C/C

SUGGESTED CONNECTORS:

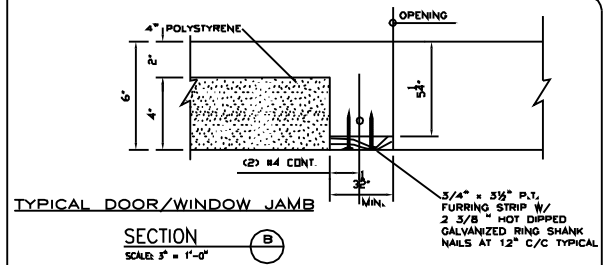
MTS-12 BY "SIMPSON" U=1000 LBS (2-max)
H-10 BY "SIMPSON" U=900 LBS (2-max)



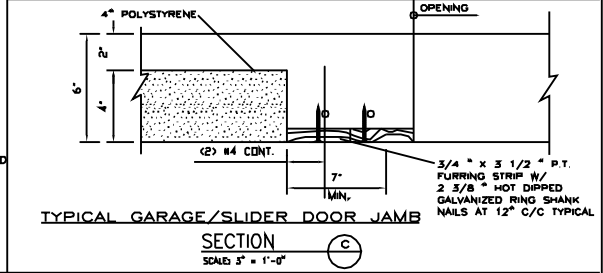
TYPICAL TOP BOND BEAM WITH EMBEDDED ANCHOR SECTION
SCALE: 5" = 1'-0"



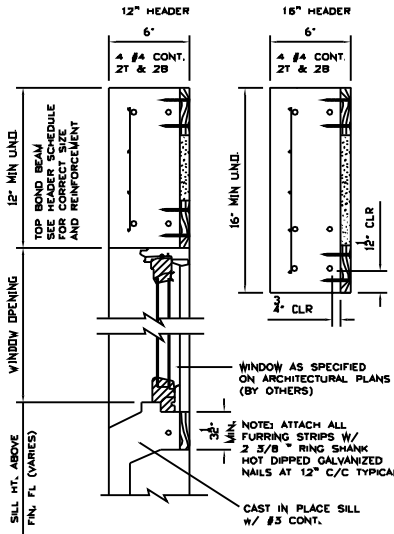
FRONT VIEW
SCALE: 5" = 1'-0"



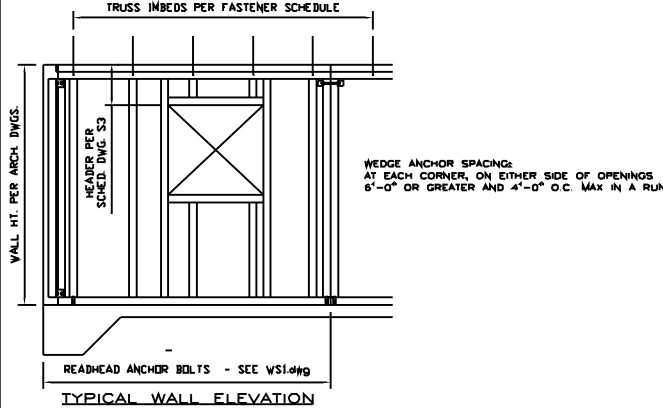
TYPICAL DOOR/WINDOW JAMB SECTION B
SCALE: 5" = 1'-0"



TYPICAL GARAGE/SLIDER DOOR JAMB SECTION C
SCALE: 5" = 1'-0"



TYPICAL WALL SECTION THRU WINDOW SECTION D
SCALE: 5" = 1'-0"

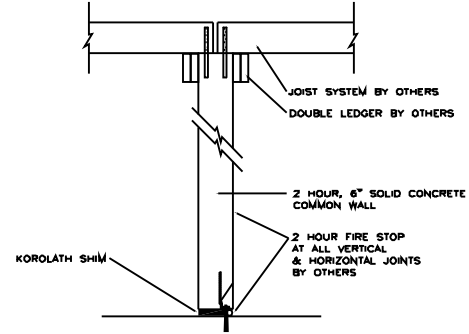


HEADER SCHEDULE		
OPENING WIDTH	HEADER BEAM SIZE	REINFORCING BARS
0'-0" TO 11'-0"	12 (MIN) X 6 U.N.O.	2 #4 TOP 2 #4 BOT.
11'-1" TO 16'-0"	16 (MIN) X 6 U.N.O.	2 #4 TOP 4 #4 BOT.
16'-1" AND UP	TO BE ENGINEERED	

FIELD REVISIONS: (WHEN NECESSARY) THE FOLLOWING FIELD REVISIONS HAVE BEEN REVIEWED AND DETERMINED TO CONFORM TO THE 2004 FLORIDA BUILDING CODE, RESIDENTIAL, SECTION R301.

WELDED WIRE MESH TO BE USED IN HEADERS AND SHALL BE 4X4, W2.1XW2.1 MIN.

- CHANGE NO. 1 ATTACHMENT OF CORNER ANGLE BRACKETS - IF AN EMBEDDED LOOP COIL IS INOPERATIVE IN THE FIELD, USE 3" X 1/2" DIA. SIMPSON TITEN HD. REPOSITION THE ANGLE BRACKET 4" BELOW OR ABOVE THE ORIGINAL AREA, REMOVE THE APPROPRIATE AMOUNT OF WOOD, DRILL THE APPROPRIATE SIZE HOLE, INSERT ANCHOR.
- CHANGE NO. 2 WALL TO SLAB CONNECTION: IF THE POSITION OF WEDGE ANCHOR CANNOT BE USED, MOVE WEDGE ANCHOR NO MORE THAN 9" LEFT OR RIGHT OF THE INDICATED POSITION TO ACCOMMODATE THE ANCHOR EMBED.



COMMON WALL SECTION E
SCALE: NTS

TYPICAL PRECAST WALL PANEL NOTES:

- SEE GENERAL NOTES ON DRAWING S-2 FOR PANEL CONSTRUCTION AND SPECIFICATIONS.
- LOCATION OF WEDGE ANCHORS TO FOUNDATION SHOWN ON DRAWING S-1 PANEL ATTACHMENT PLAN.
- SIZE AND REINFORCING OF ALL HEADER BEAMS PER HEADER SCHEDULE THIS DRAWING.
- LOCATION AND TYPE OF TRUSS FASTENERS BY OTHERS
- TYPICAL STUD SPACING IN SOLID WALL 2'-0" C/C, UNLESS NOTED OTHERWISE.
- REFER TO SHOP DRAWINGS FOR EXACT PLACEMENT OF ALL EMBEDDED ITEMS, WINDOW AND DOOR ROUGH OPENINGS.
- TYPICAL SEALANT BETWEEN VERTICAL PANELS IS A MINIMUM OF 1 - 5/8" BEAD OF POLYURETHANE CAULK.
- TYPICAL SEALANT BETWEEN WALL PANEL AND SLAB IS A MINIMUM OF 1 - 3/8" BEAD OF POLYURETHANE CAULK FOR OPENINGS EQUAL TO OR LESS THAN 1/4" INCH OPENINGS FROM 1/4" INCH TO 3/4" INCH REQUIRE THAT A 3/4" INCH CROUT CELL BACKER ROD WILL BE USED IN ADDITION TO CAULK, LARGER OPENINGS REQUIRE THE USE OF NON-SHRINK CROUT.
- TYPICAL PANEL TO PANEL ATTACHMENT: USE 2 BRACKETS WITH ASSOCIATED COIL BOLTS FOR WALL HEIGHTS 10'-0" AND UNDER, USE 3 BRACKETS FOR WALLS GREATER THAN 10'-0" IN HEIGHT.
- THIS WALL USES ACO PREVENTATIVE TREATED WOOD

WEAVER PRECAST OF FLORIDA, LLC

350 THORPE ROAD ORLANDO, FLORIDA 32824
PHONE (407) 812-5552 FAX (407) 812-7672

ISSUED FOR:

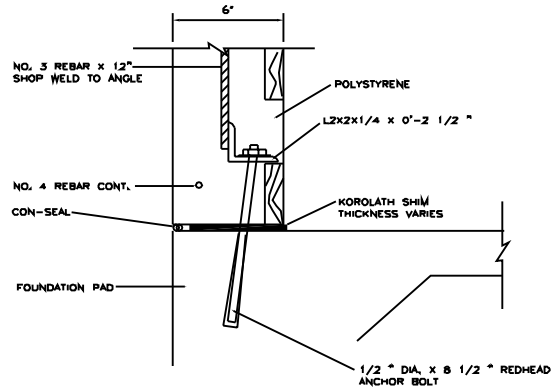
- PRELIM.
- PRICING
- BIDDING
- PERMIT
- CONSTRUCTION

MARK	DATE	REVISIONS
	10/21/05	

CONV. NO. DRAWING W/STRENGTH
DATE 08/01/05 JOB NO. 1
SCALE 1/4"=1'-0" CHECKED: C. BRYAN

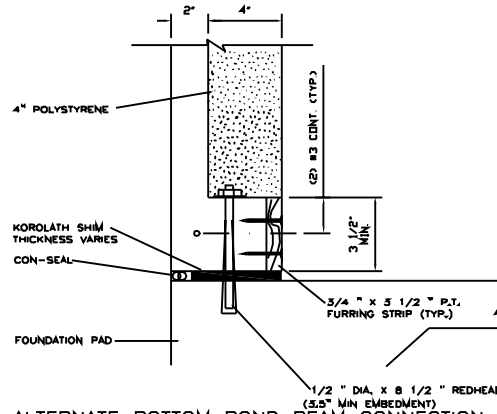
DETAILS

LOT NO. SHEET NO.
WS5
SHEET OF



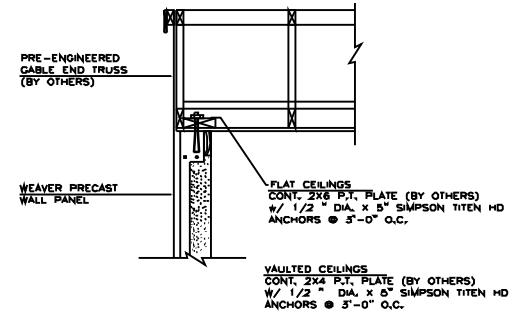
TYPICAL BOTTOM BOND BEAM

SECTION A
SCALE: 3" = 1'-0"



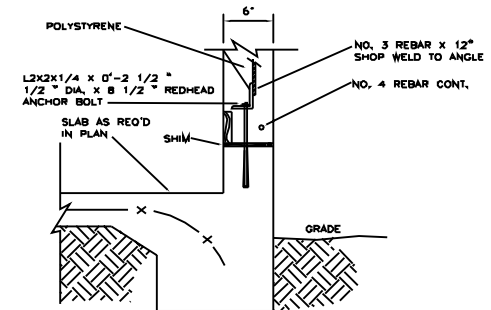
ALTERNATE BOTTOM BOND BEAM CONNECTION

SECTION B
SCALE: 3" = 1'-0"



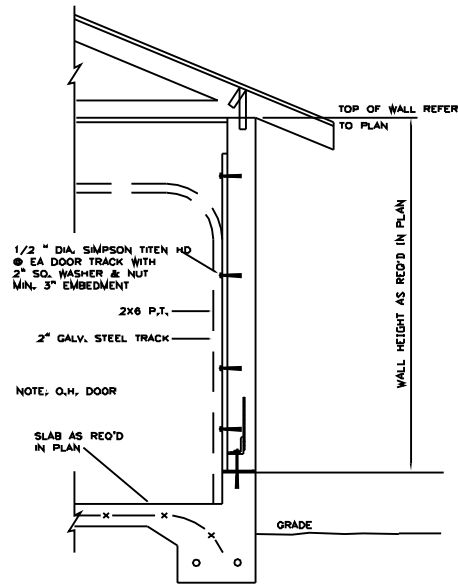
ACCEPTABLE GABLE END ATTACHMENT

SECTION C
SCALE: 3" = 1'-0"



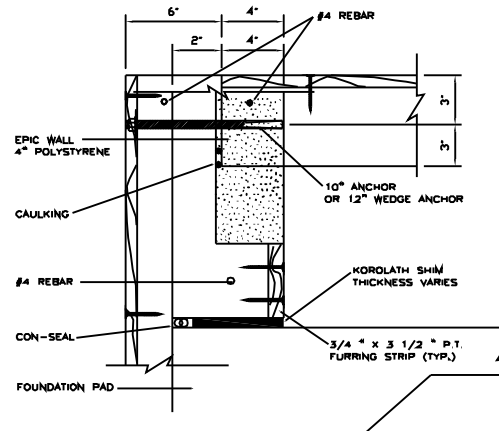
SEE FOUNDATION PLAN FOR SLAB REINFORCEMENT
TYPICAL GARAGE CURB CONNECTION

SECTION E
SCALE: 3" = 1'-0"



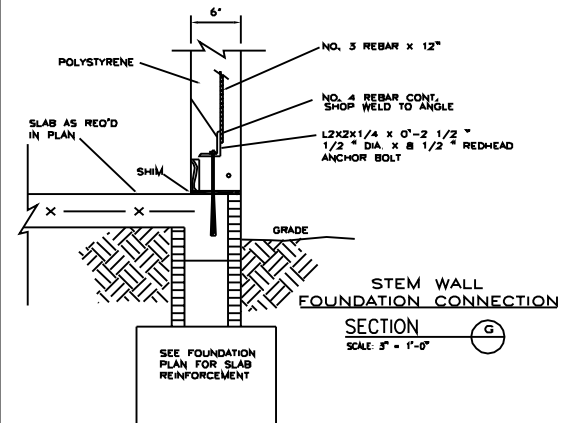
ACCEPTABLE GARAGE DOOR ATTACHMENT

SECTION D
SCALE: 3" = 1'-0"



CORNER CONNECTION DETAIL

SECTION F
SCALE: 3" = 1'-0"



STEM WALL FOUNDATION CONNECTION

SECTION G
SCALE: 3" = 1'-0"

WEAVER PRECAST OF FLORIDA, LLC

350 THORPE ROAD ORLANDO, FLORIDA 32824
PHONE (407) 812-5552 FAX (407) 812-7672

ISSUED FOR:

- PRELIM.
- PRICING
- BIDDING
- PERMIT
- CONSTRUCTION

MARK	DATE	REVISIONS

CONV. NO. 08/01/05 DRAWN BY SFRICHO
DATE 08/01/05 JOB NO. 1
SCALE 1/4"=1'-0" CHECKED: C BRYAN

DETAILS

LOT NO. SHEET NO.

WS6

SHT. OF

